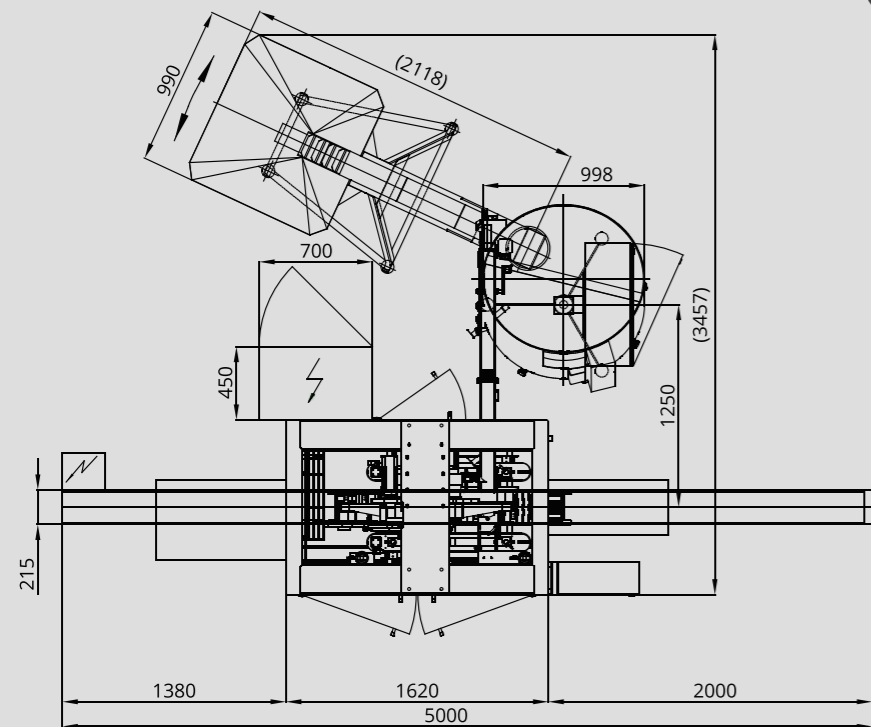


Layout drawing: TYPE VSL



ALL INFO
HERE ON THE
INSIDE PAGES



Containers and closures? It doesn't matter, we can do all of them!

Bottle unscramblers, filling machines and capping machines. Together with the necessary conveyor technology we can do complete packaging lines for your production.



BREITNER Continuous linear closing machine

The containers, especially canisters, run continuously through the machine on the conveyor belt and are closed in a continuous flow. This prevents overflowing.

BREITNER Abfüllanlagen GmbH
Friedrich-Groß-Straße 5
74523 Schwäbisch Hall

+49 791 95035-0
info@breitner-abfuellanlagen.de
www.breitner-abfuellanlagen.de



English

Cosmetics
Chemistry
Food
Pharmacy

BREITNER

Continuous linear closing machine

 50/min



Linear working



Torque adjustable



Working method continuous



Screw cap



Ex-protection



Technical data

Output capacity:	up to 50 bottles/min
Container diameter/width:	up to 250 mm
Container height:	up to 400 mm
Screwing torque:	up to 15 Nm



<https://vslvideos.breitner.de>

Fact sheet

- ▶ Function: Pressing on/screwing on caps without stopping or redirecting the transport movement (no overflow)
- ▶ Cap feeding: Reliable horizontal, transfer to the screw head by pick and place
- ▶ Changeover: Simple thanks to adjustment positions and servo axes
- ▶ No format parts required for bottles/canisters

**BREITNER**[®]
ABFÜLLANLAGEN GMBH



TYPE VSL